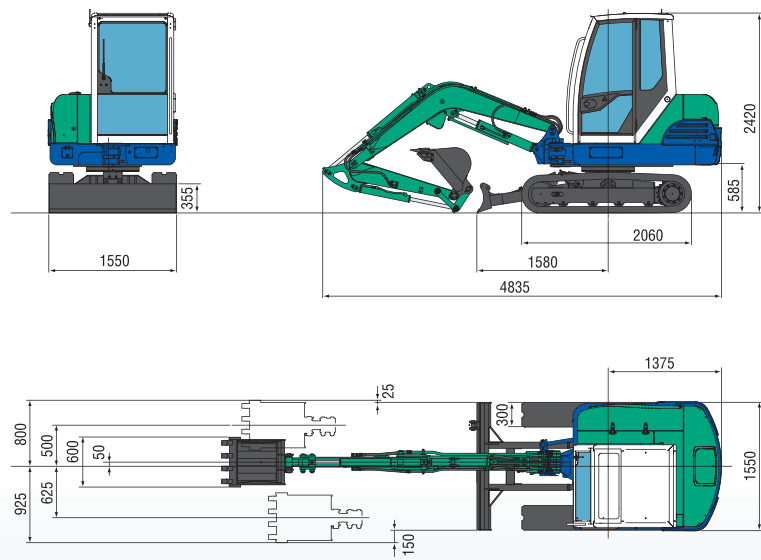
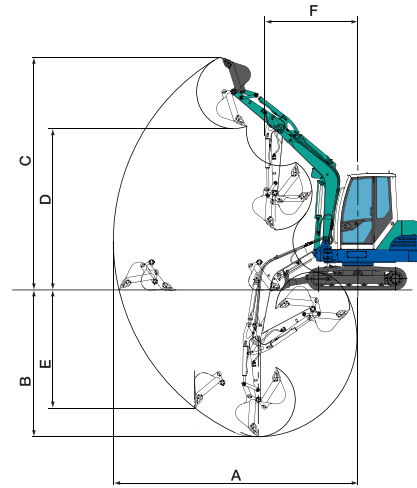


■ Dimensions (Unit:mm)



■ Working Range (Unit:mm)



	Cabin or 4post
A Max. digging radius	5080mm (5390mm)
B Max. digging depth	3150mm (3450mm)
C Max. digging height	4830mm (5120mm)
D Max. dumping height	3350mm (3620mm)
E Max. vertical digging depth	2450mm (2900mm)
F Min. front turning radius	1930mm (2060mm)
At right boom swing	
	1520mm (1635mm)

※ Cabin : ROPS/TOPS Cabin
 ※ 4Post : ROPS/TOPS Canopy
 ※ () : Figures for long arm



35N Mini Excavator

Standard Bucket Capacity : ISO 0.11m³

Outstanding Stability, Robust Design.
3.5ton Conventional Type Mini.

■ 35N3 Specifications

Model	35N3
• Performance	
Bucket capacity	0.11m ³
Bucket width	600mm
Operating weight : Cabin (4post)	3460kg (3325kg)
Transportation weight : Cabin (4post)	3385kg (3250kg)
Swing speed	10min ⁻¹
Travel speed (low/high)	2.8/4.8km/h
Gradeability	58% (30°)
Ground pressure	31kPa
Max.bucket digging force	26.5kN
• Engine	
Model	YANMAR 3TNV88
Rated output	19.9kW(27.1PS)/2300min ⁻¹
Fuel tank capacity	49 L
• Boom swing system	
Type	Boom offset with hydraulic cylinder
Swing angle (L/R)	50° / 90°
• Hydraulic system	
Pressure	20.6MPa
Pump hydraulic flow	40.3L/min x2 + 24.6L/min
• Dozer blade	
Size	1550mm x 365mm
Lift above ground / Drop below ground	390mm / 450mm



4 Post Canopy



Auxiliary Hydraulic Piping & 2nd Auxiliary Piping



Proportional Control Valve

■ Options

- Long-arm (standard + 300mm)
- Steel Shoe (300mm)
- Auxiliary hydraulic piping (63.1L/min)
- 2nd auxiliary hydraulic piping (24.6L/min)
- Rubber padded crawler
- ROPS canopy
- ROPS cabin
- Head light for cabin (canopy)
- Fabric seat

Bucket
0.055m ³ / Digging bucket (400mm width)
0.08m ³ / Long arm bucket (500mm width)
0.12m ³ / Digging bucket (660mm width)



* Auxiliary hydraulic piping is optional



Full-opening cover.

The engine cover, right side cover all can easily be fully opened.



Larger engine adopted.

Engine compliant with gas emission for EC StageIIIA and EPA Interim Tier4.



Accumulator

The accumulator is installed as to depressurize auxiliary line and lower attachments in emergency.



Large Traction pedals

The large traction pedals are equipped as standard.

Eco-friendliness and Safety

- Engine compliant with gas emission for EC StageIIIA and EPA Tier4.
- Conform to the EC low noise regulation.
- Swing parking brake equipped as standard.
- The accumulator is installed as to depressurize auxiliary line and lower attachments in emergency.

Easy Operation

- Joystick lever control enables precision operation.
- Achieves largest operation space in its class.
- A large dozer blade makes bulldozing easier and offers high durability.
- Travel speed selector switches equipped in two locations. (On dozer lever and the left console box.)
- The foot space extended. (10% wider than N2.)

Easy Maintenance

- Sintering metal bush extends greasing interval.
- Aluminum made radiator and oil cooler resist against rusting.
- Segmented boom cylinder hoses for easier replacement.
- Full-opening engine cover for easy maintenance.
- The radiator protective net is equipped as standard.

Rugged Body

- Embedded boom lamp to prevent damage.
- The engine cover and the side cover are the pressed steel and very rugged.
- Bucket cylinder hoses are placed inside of arm.
- Cast Iron large side guard and counterweight.
- Arm link pin fixed by castle nut.