

ic37

Progress to the Next Stage



IC SERIES CRAWLER CARRIER

<http://www.kato-works.co.jp>

- Before you operate the machine, study the instruction manual thoroughly and follow the instructions it contains.
 - Some differences may arise between the machine delivered and the photographs in the catalog due to any added improvements.
Note: The specification may be changed without notice.
 - The actual colors of the body and interior may appear slightly different from those shown in this catalog due to the limitation of photography and printing.
- Contact for enquiry:

KATO

QUALITY & EXPERIENCE
SINCE 1895

KATO WORKS CO.,LTD.

9-37, Higashi-ohi 1-chome, Shinagawa-ku, Tokyo, 140-0011, Japan
Tel.: Head Office: Tokyo +81 (0)3 3458-1111
Overseas Marketing Department: Tokyo +81 (0)3 3458-1115 / FAX: Tokyo +81 (0)3 3458-1163

ic37

IC SERIES CRAWLER CARRIER

3.7t



KATO

Powerful & Compact + Comfortable!

- 3,700kg (8,158lbs) payload with its Compact Body
- ROPS-certified Canopy
- Auto Idle Function

- New Joystick Lever Control System
- New Rotating Operator's Seat
- Fully-opening Engine Cover



- Engine Output:
46kW (62.7PS) / 2,700min⁻¹
- Machine Weight:
2,910kg (6,415 lbs)
- Max. Payload:
3,700kg (8,158 lbs)

Powerful & Compact!



Class-leading payload of
3,700kg (8,158 lbs)
with its compact body!

- OPTIMIZED-
- Engine Output
 - Powertrain
 - Body Frame

Comfortable!

New **joystick control system** for variable travel operations!

- New joystick-type lever control provides **smooth traveling operation.**



Instrument panel concentrated on right side of operator's seat.

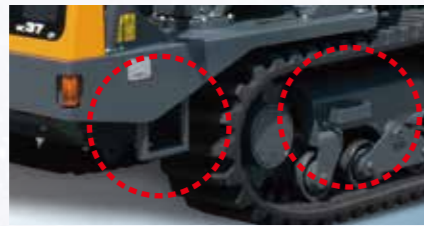
▲ Lever and switches



Safety Features

ROPS-certified Canopy

Superior safety design protects the operator from dangerous situations.



▲ Steps for easy access



▲ Standard ROPS-certified canopy



▲ Travel position



▲ Locked position



▲ Emergency engine stop button



▲ Emergency stop valve for lowering the bed

The bed can be safely lowered by operating the stop valve in case of emergency.

Travel Function

Wider rubber shoe enables to operate on rough terrain.



▲ Steps for easy access



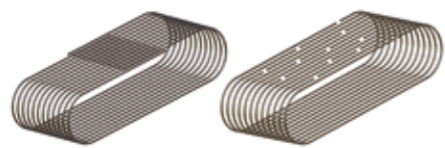
▲ Rollers for travel stability

Ecological Features



Ecological Structure

- US EPA Tier 4 final engine
- Flat-joint rubber crawler
- Auto idle function



▲ Over-wrap

▲ Flat-joint

Flat-joint rubber crawler gives more fuel efficiency.



Auto idle switch ▲

Auto idle indicator is displayed on the monitor.



Comfortability

Rotating Operator's Seat

Large foot space provides the operator comfort while operating machine.



Large Tool Box and Footrest

Footrest can be used as a large tool box.



▲ Footrest



▲ Tool box

Power Control

Prevents the engine stalling by controlling overload during traveling.

Speed Control

Automatically shifts to the 1st gear when machine is under load during traveling.



Maintainability & Serviceability

Access to Power Unit

Fully-opening engine cover gives a good access to engine, filters and other service ports.

Fully-opening engine cover ▶



▲ Maintenance hatch



▲ Cooling unit

3 split drive sprockets can be replaced without removing the rubber crawler.



3 split sprockets ▶



▲ Footrest - Battery cover

Battery positioned for easy access.

Triangle-shaped Frames

Triangle-shaped frame with mudguard enables easier cleaning.



▲ Triangle-shaped crawler frame



▲ Triangle-shaped bed frame

Specifications

Model	IC37
Specification	Standard
Max. Payload	3,700kg (8,158lbs)
Machine Weight (with bed)	2,910kg (6,415lbs)
Max. Capacity	2.0m ³ (Heaped)
	1.4m ³ (Struck)

General Specifications

Travel Speed	6.3 / 10km/h (Low / High)
Gradeability	36% (20°)
Ground Pressure	26kPa (0.26kgf/cm ²) No load
	60kPa (0.61kgf/cm ²) On load

Engine

Model	KUBOTA V2403-CR-TE4B
Emissions Cert.	US EPA Tier 4 Final
Rated Output	46.1kW (62.7PS) / 2,700min ⁻¹
Max. Torque	193.4N·m (19.7kgf·m) / 1,600min ⁻¹
After Treatment	DPF (Diesel Particulate Filter)

Hydraulics

Main Pump	Variable plunger (Travel 2) Gear (Bed 1)
Discharge Pressure	Travel : 34.5MPa(352kgf/cm ²) Bed : 20.6MPa(210kgf/cm ²)
Flow Rate	Travel : 76L(20gal)/min Bed : 44L(12gal)/min
Travel Motor	Variable plunger

Dimensions

Overall Length	3,820mm
Overall Height	2,370mm
Width (Upper)	1,780mm (Without mirror) / 1,920mm (With mirror)
Min. Ground Clearance	320mm
Crawler Overall Width	1,550mm
Crawler Overall Length	2,630mm
Shoe Width	350mm

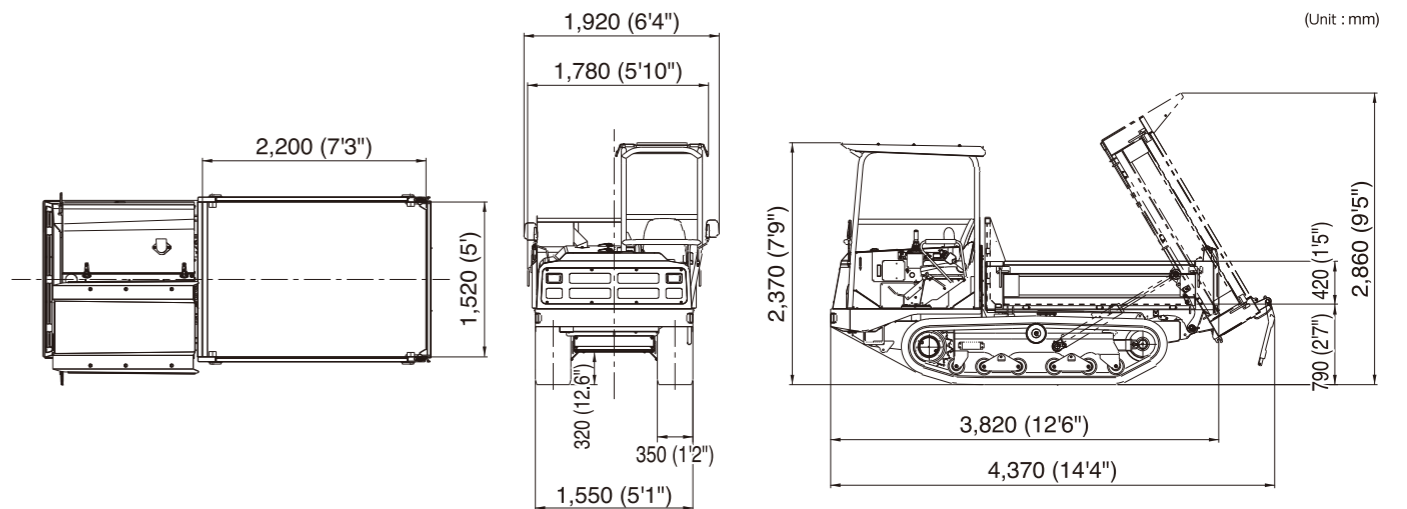
Tank Capacity

Hydraulic Oil	40L (11gal)
Fuel	71L (18gal)

Battery

Starter Motor	12V — 2.0kW
Battery	12V — 64Ah
Alternator	12V — 480W

Dimensions



Standard Features

- ROPS-certified canopy
- Flat floor bed with three gates
- Seatbelt
- Power socket
- Joystick control lever for travel operation
- Dumping lever
- Horn
- Travel alarm
- Headlight
- Operator's seat
- Angle detector
- Auto idle function
- Emergency engine stop button
- Emergency stop valve for lowering the bed